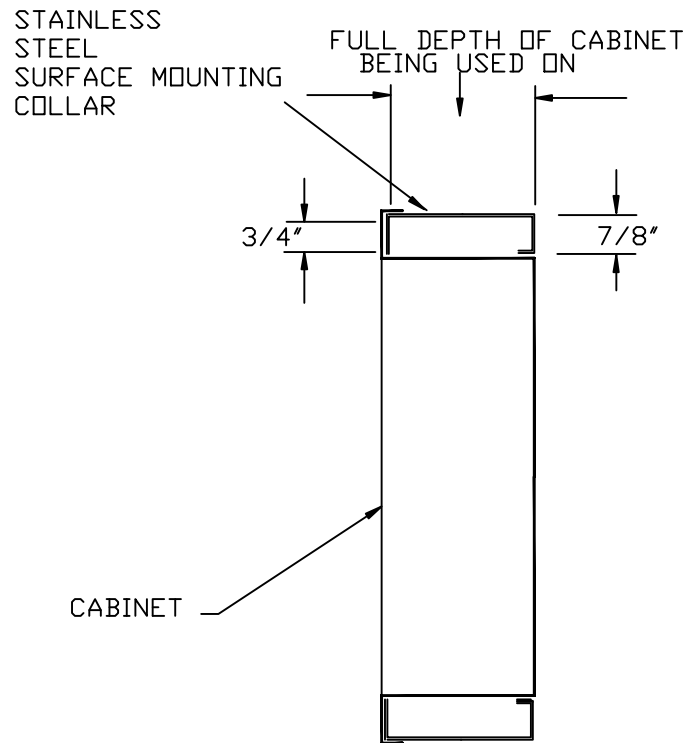
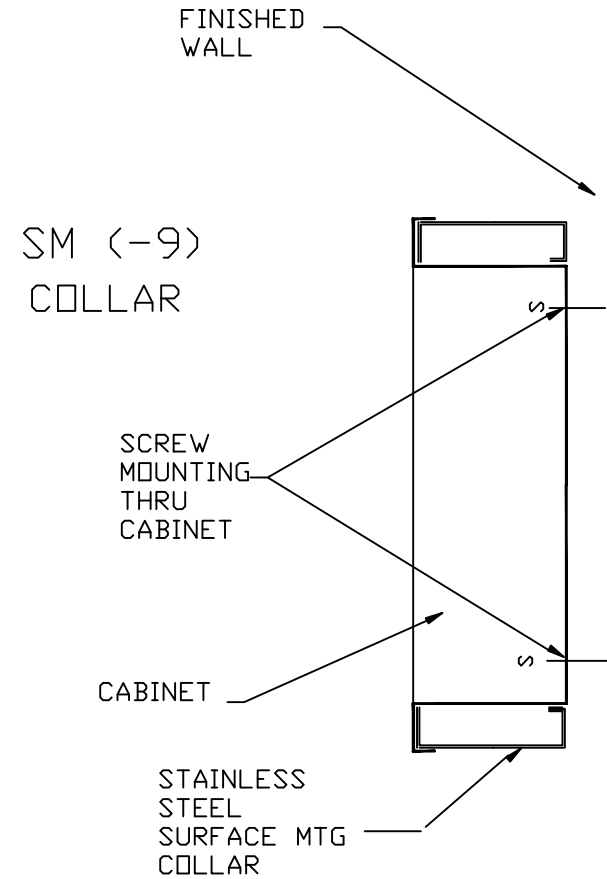


ISOMETRIC OF COLLAR



COLLAR SLIDES OVER REAR OF CABINET BEHIND THE 1/4" (6mm) RETURN ON TRIM



CABINET AND COLLAR ASSEMBLY ARE THEN MOUNTED TO WALL